

THE GMM SERIES OF MODERN SUPERMODELS

---oOo---

Rotating Pendulum Clock

---cOo---

This model was designed by Signor G. Seruetti of Piacenza, Italy, and is the first Meccano clock to be published with a rotating pendulum, similar to the 400-day clocks commercially available.

It is skilfully designed and is powered by a No. 1 Clockwork motor ; when this is fully wound, the clock will run for 24 hours. It stands on a pleasing ornamental base which may naturally be varied if desired.

---cOo---

Published by
THE CHIEF MECCANOMAN
248 Woolwich Road,
Abbey Wood, SE2 0DW
LONDON - ENGLAND.

Telephone : ERITH 32195 (STD 032 24)

JULY 1969

L E A F L E T N O . 1 0

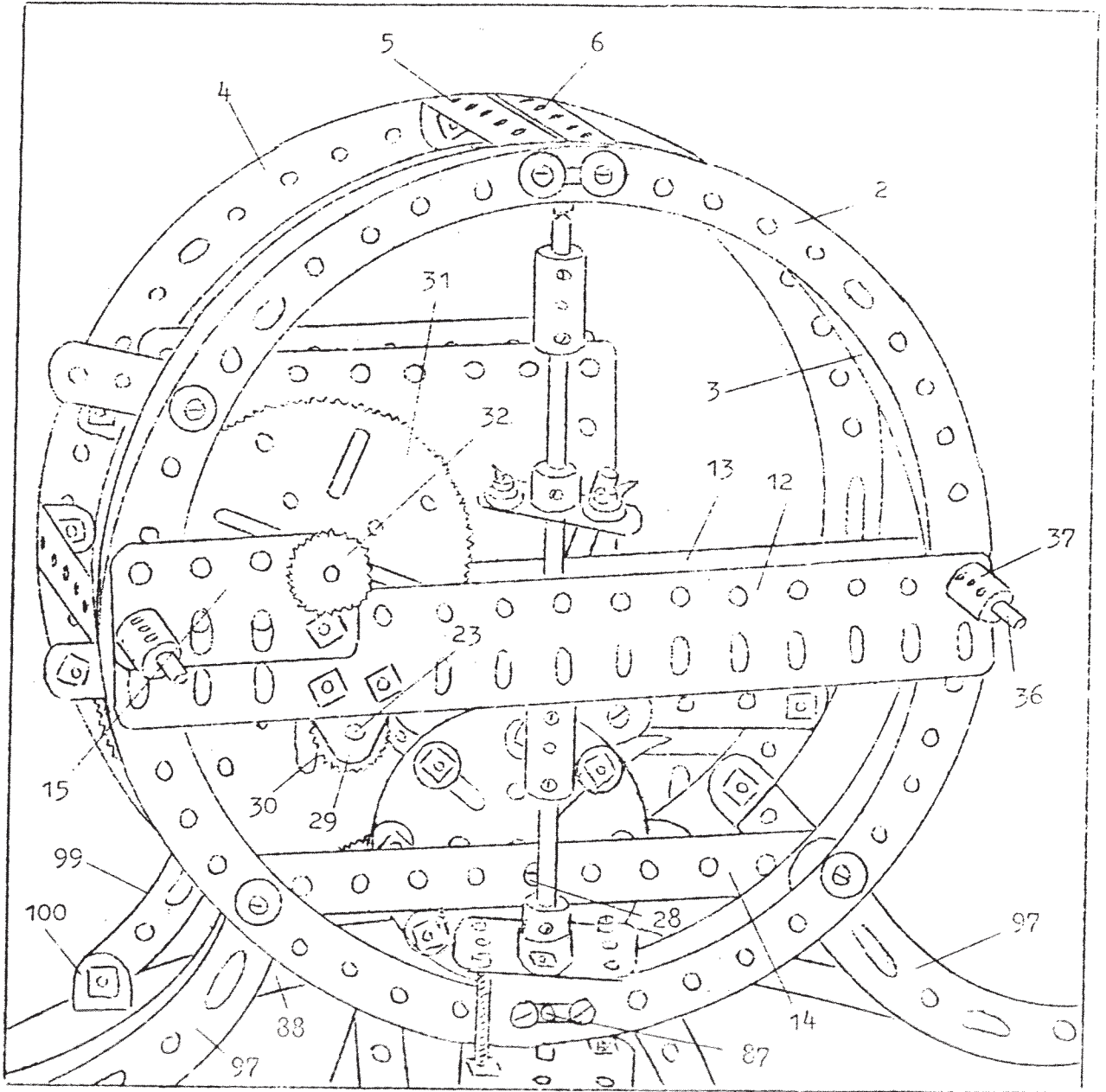


FIGURE 2

FRONT OF CLOCK WITH DIAL REMOVED

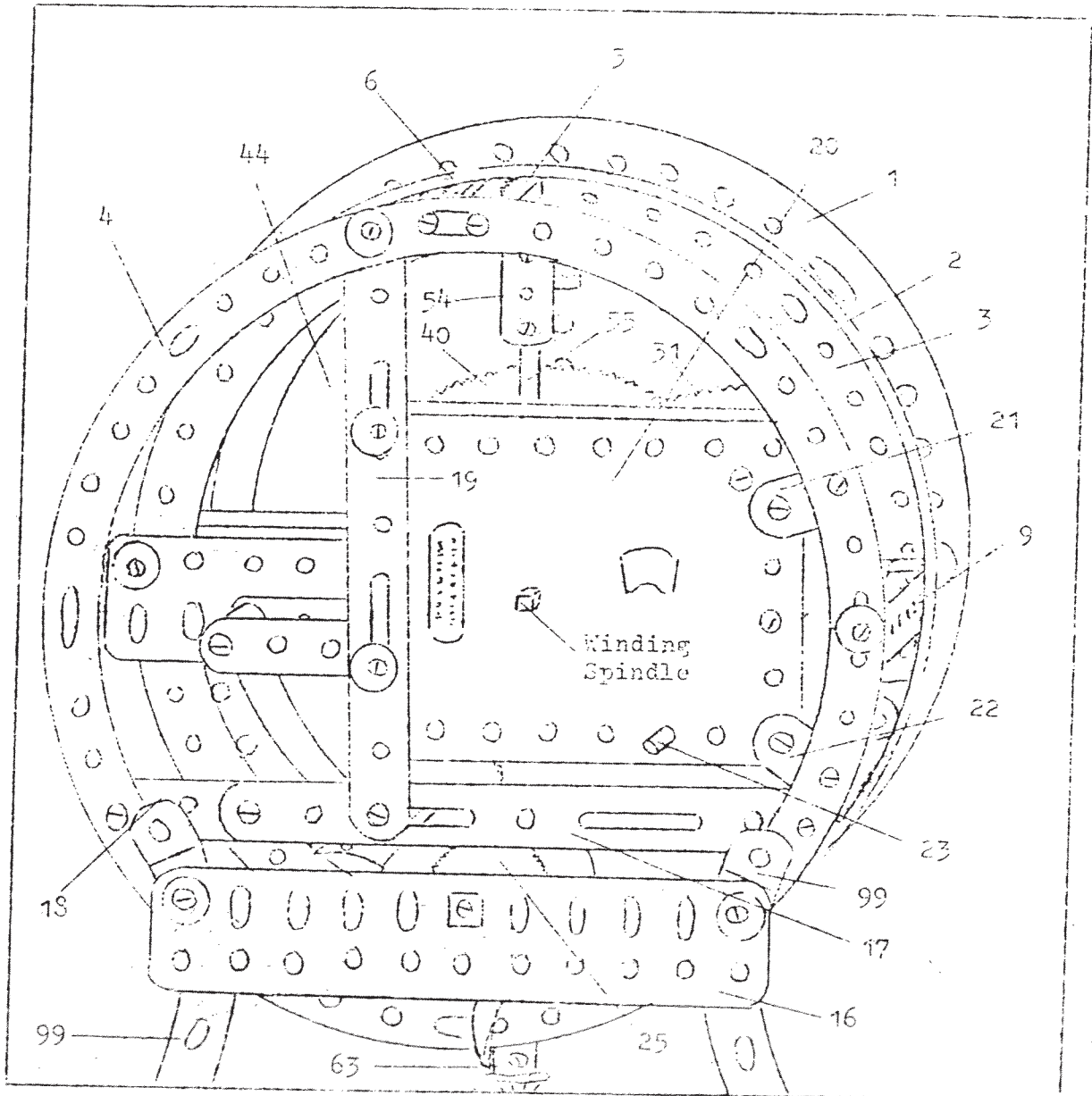


FIGURE 3
REAR OF CLOCK

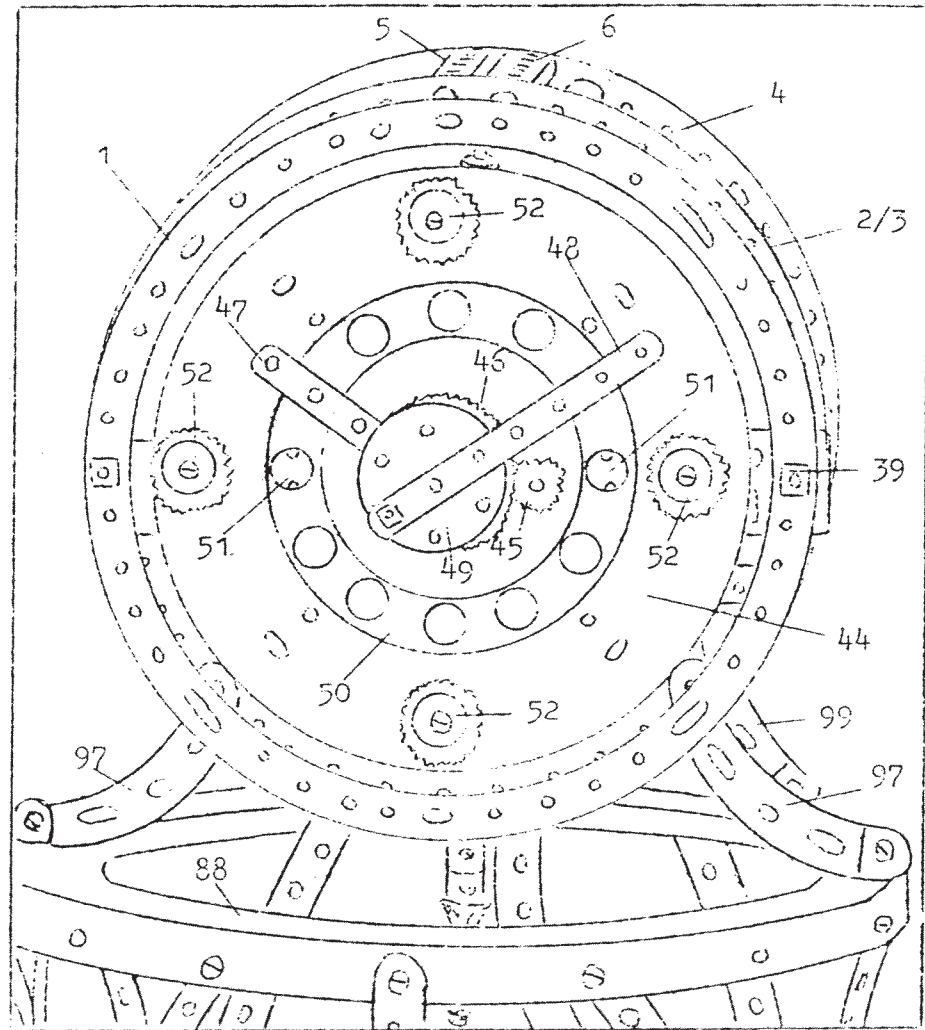


FIGURE 4
FRONT OF CLOCK

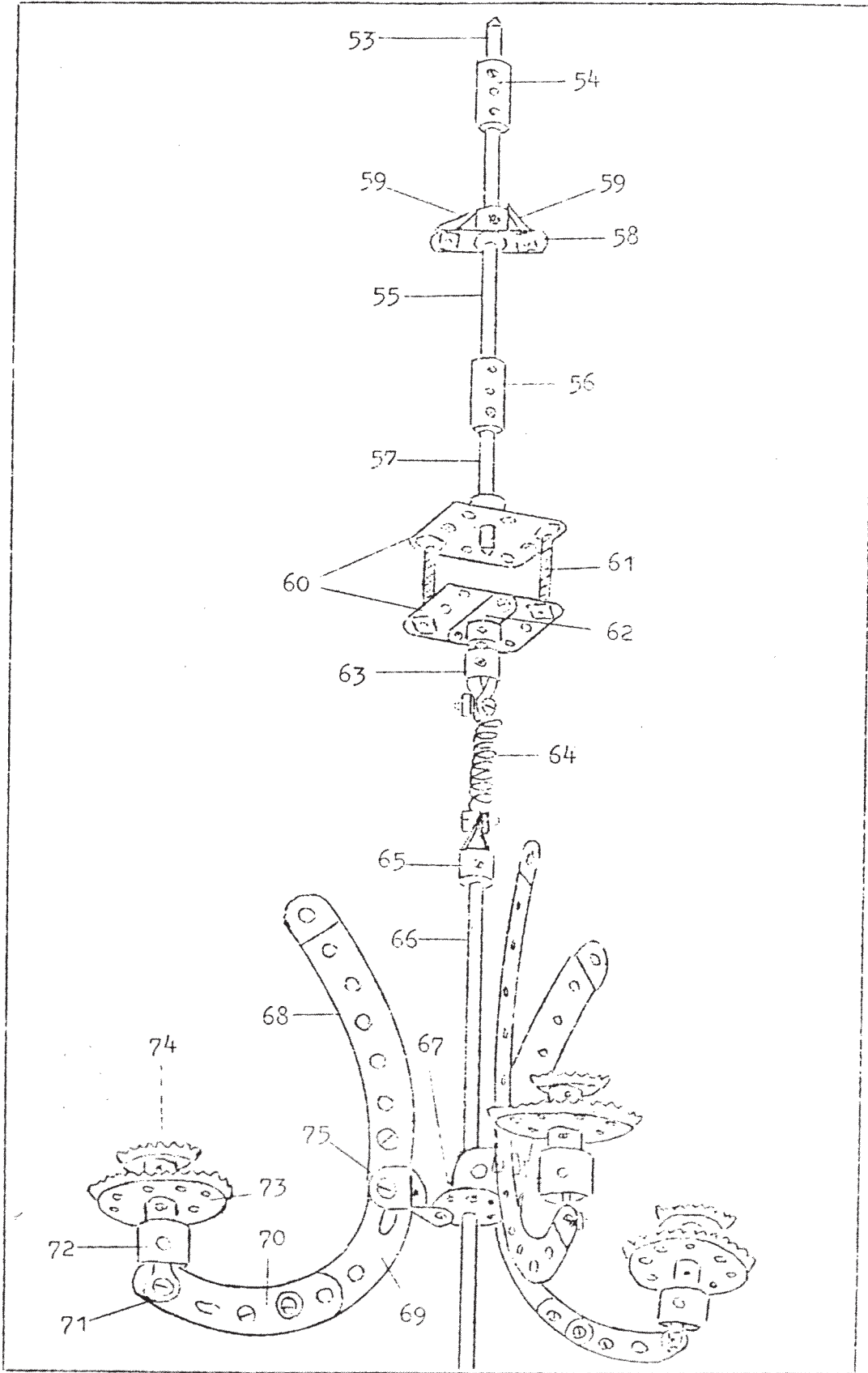


FIGURE 5 PENLULUM

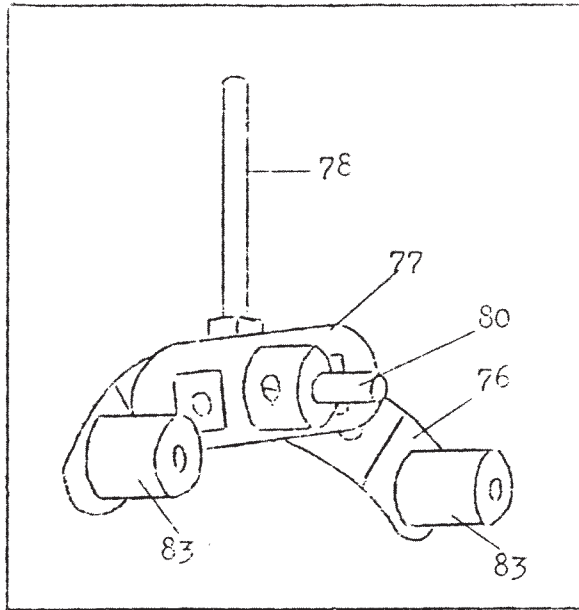


FIGURE 6
ANCHOR OR PALLET

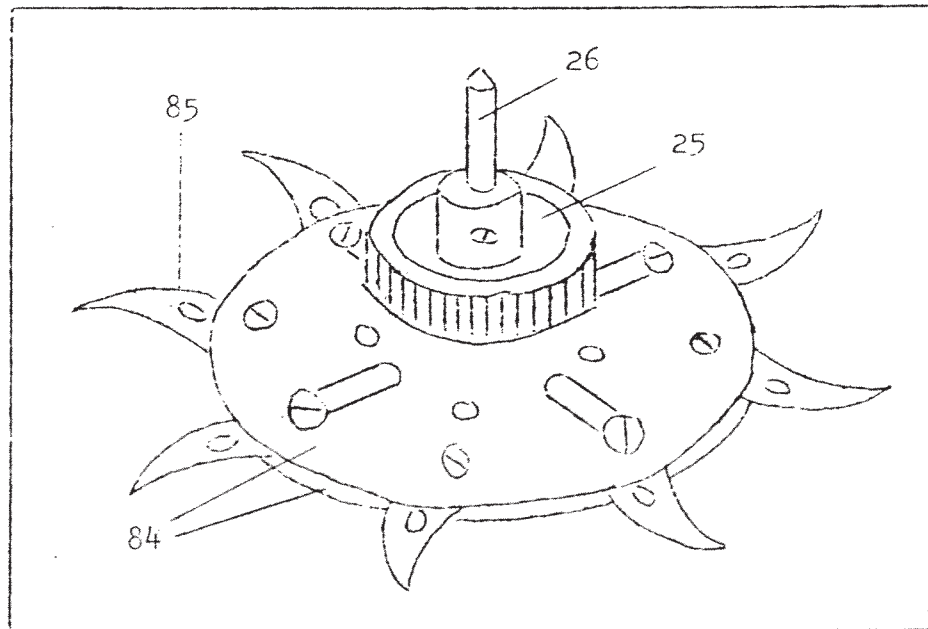


FIGURE 7
SCAPE WHEEL

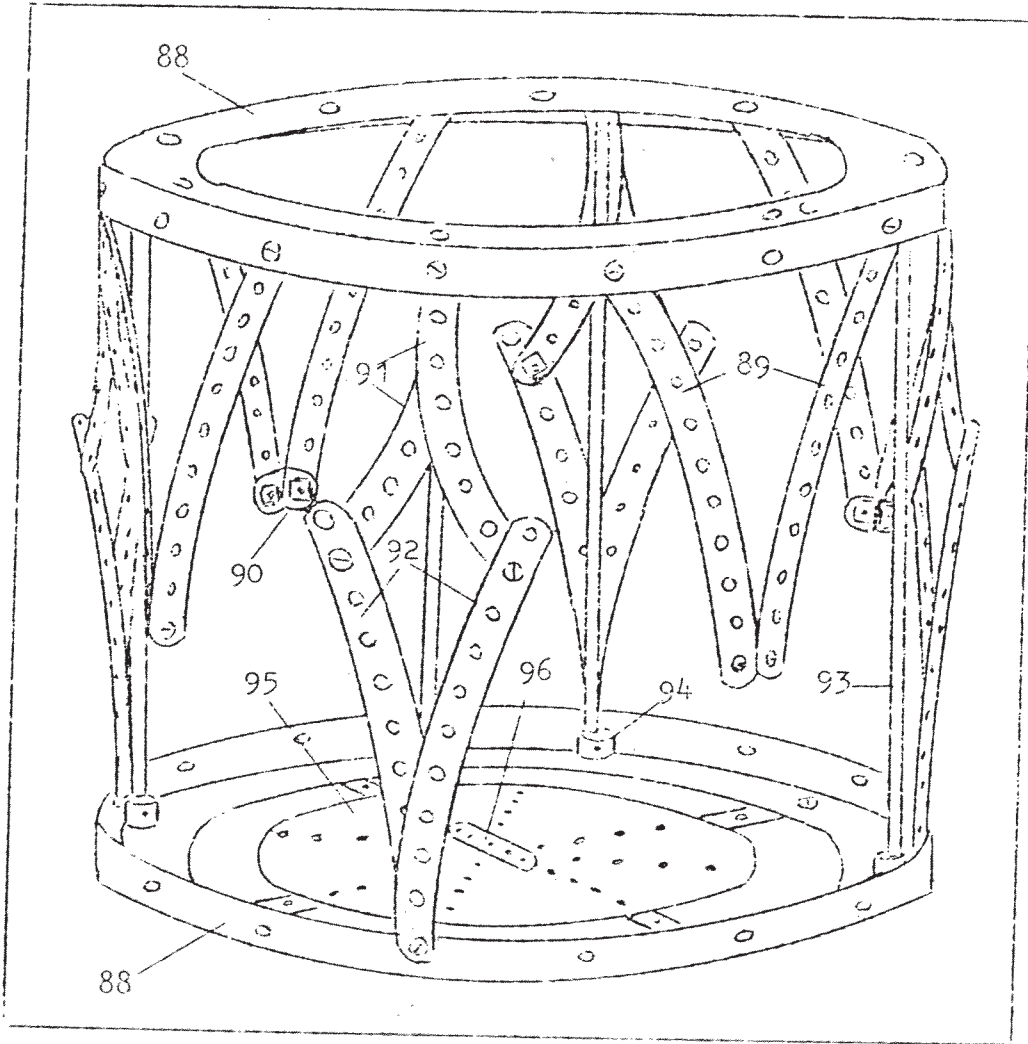


FIGURE 3
ORNAMENTAL BASE

---oOo---

